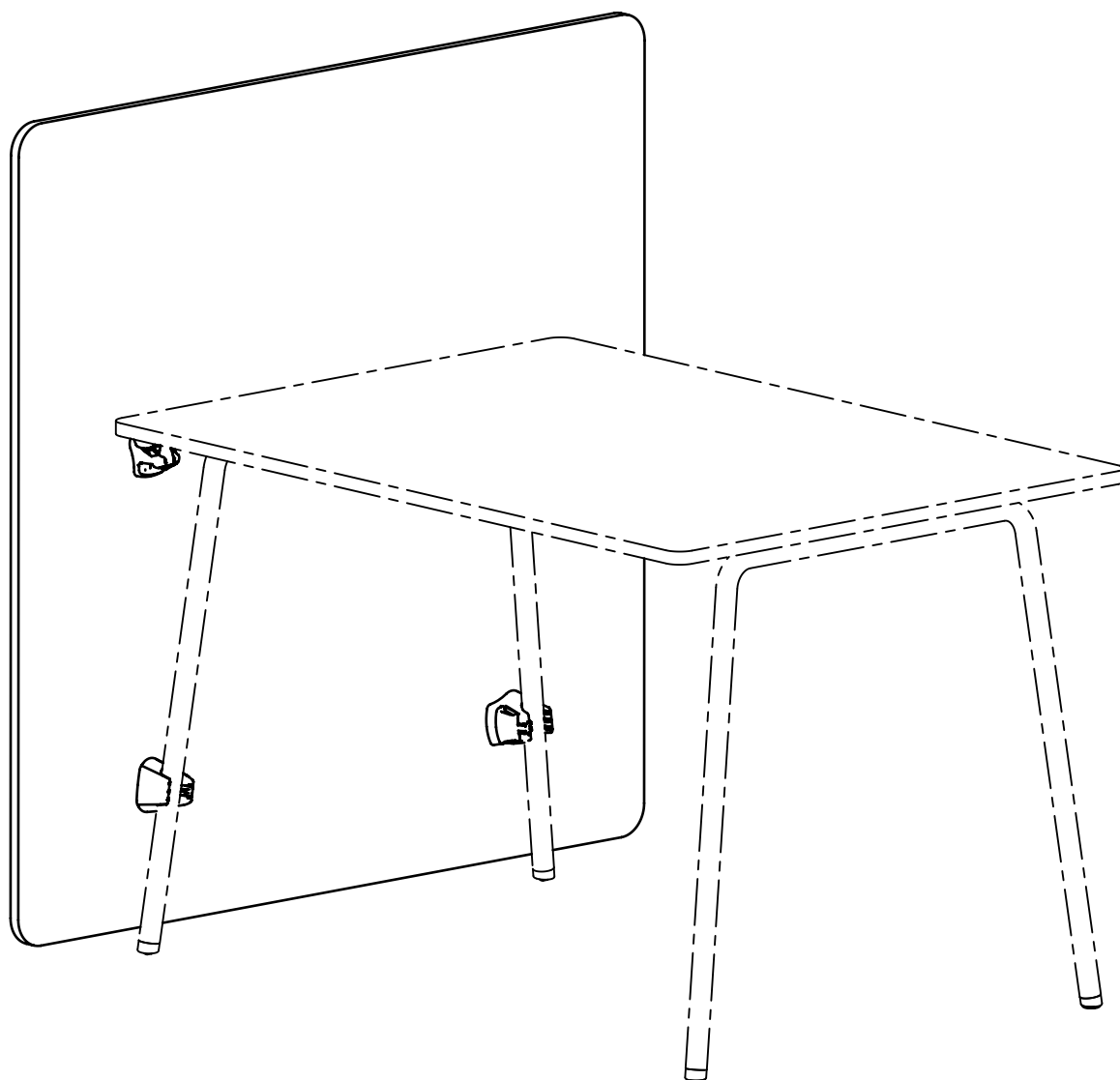
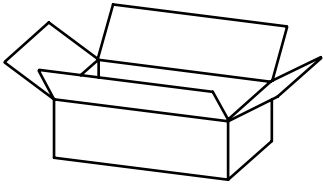


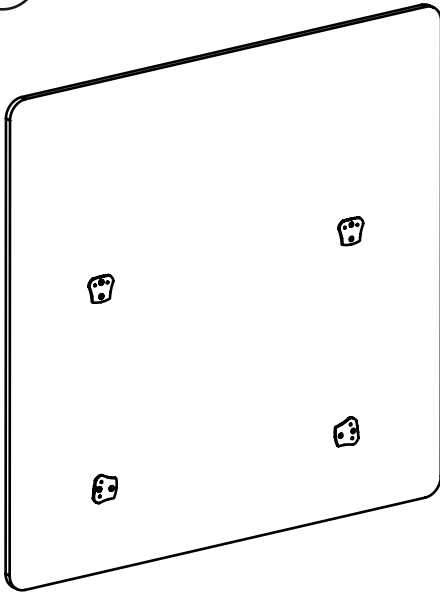
# Room in Room 90/105/741

---

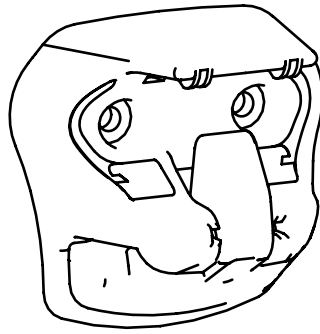




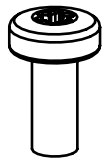
1 1X

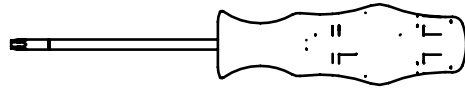
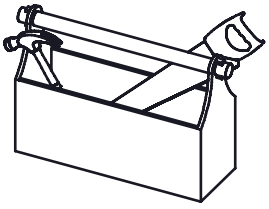


2 4X



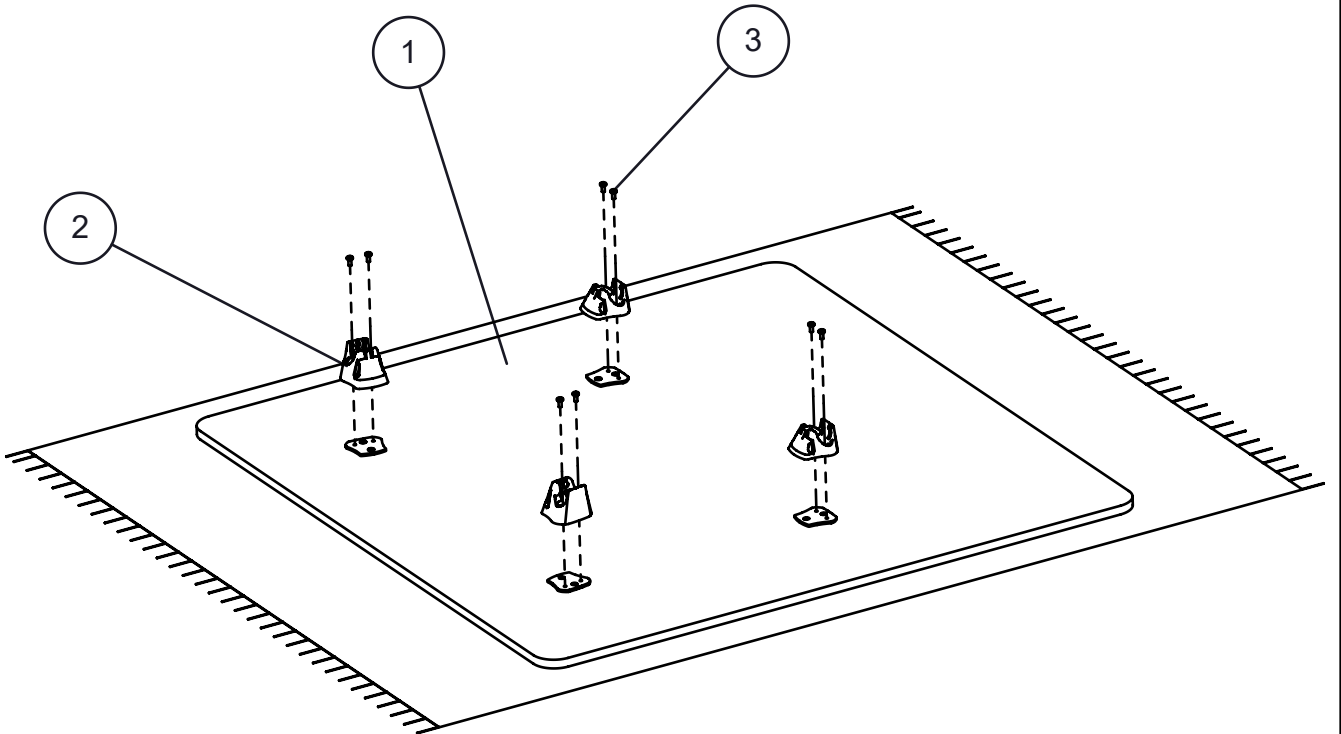
3 8X



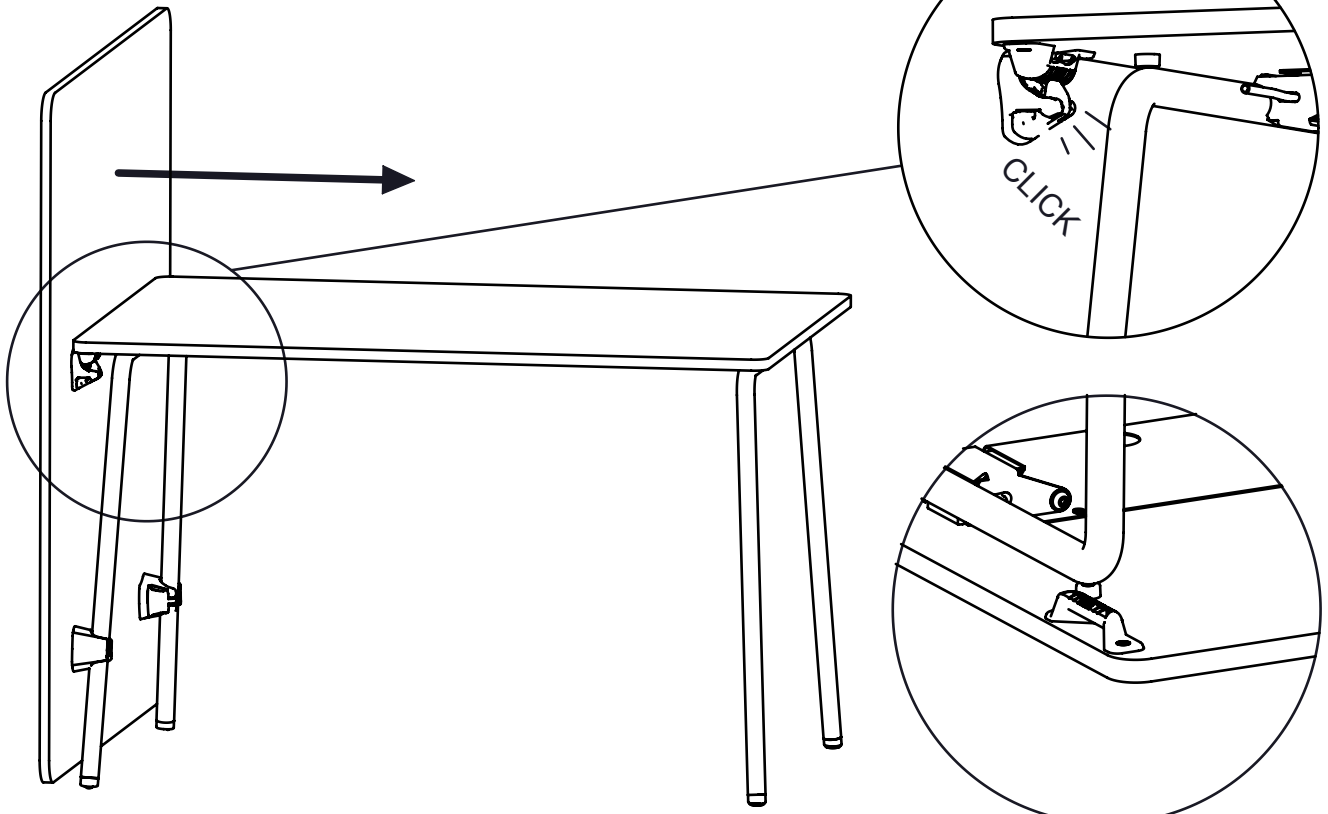


T25

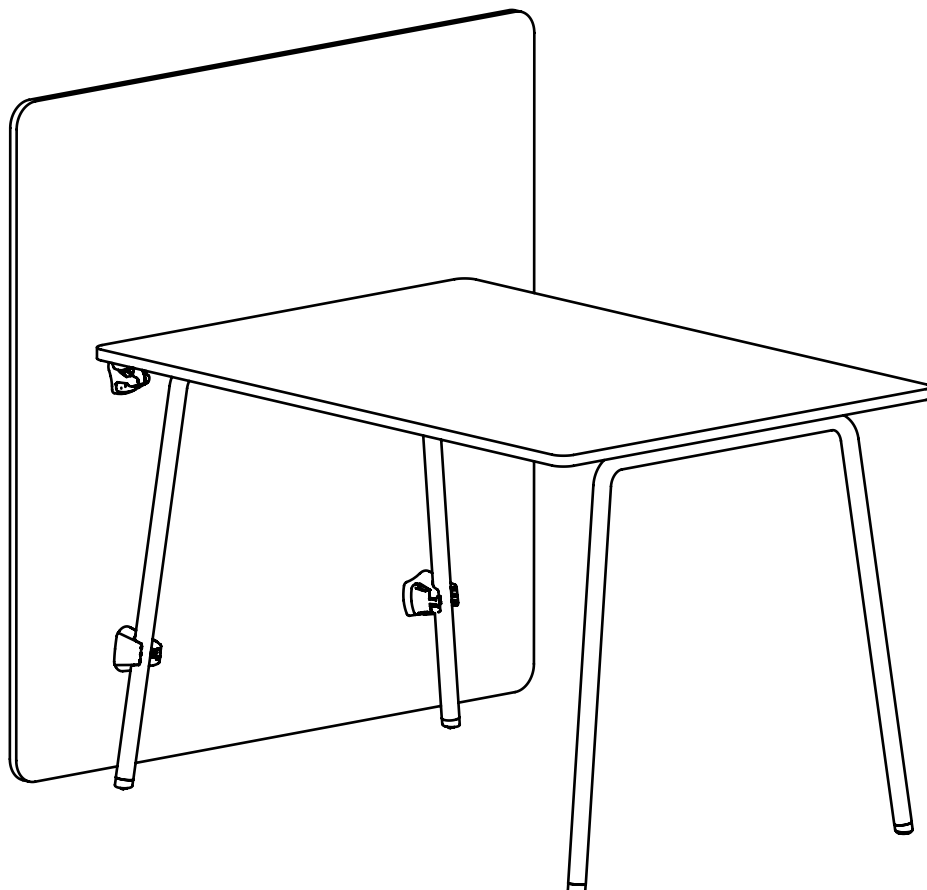
1



2



3



**Four Design**  
Lucernemarken 17-19  
DK-5260 Odense S.  
Tel. (+45) 62 29 19 77

[www.fourdesign.dk](http://www.fourdesign.dk)

**FOUR**  
DESIGN

  
AN OCEE  
INTERNATIONAL  
COMPANY