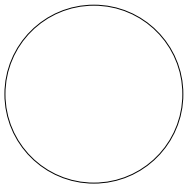
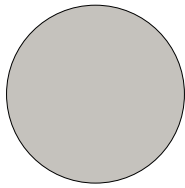


Design: Broom Jenkins

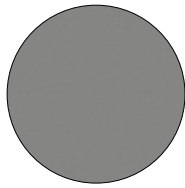
Table top finishes



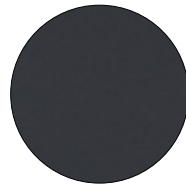
WHITE DECOR
W450



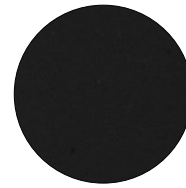
LIGHT GREY EGGER
U763 ST9 DECOR



GREY EGGER U732
ST9 DECOR



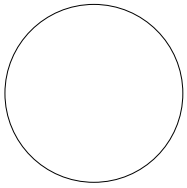
ANTHRACITE ARPA
FENIX 0724



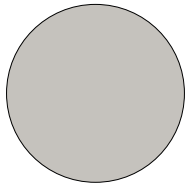
BLACK ARPA FENIX
0720



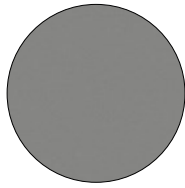
WARM GREY ARPA
FENIX 0718



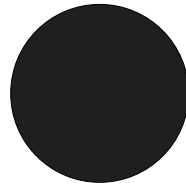
WHITE MDI38
MODEKOR



LIGHT GREY EGGER
U763 ST9 LAMINATE

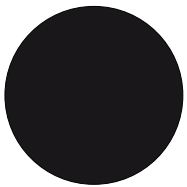


GREY EGGER U732
ST9 LAMINATE

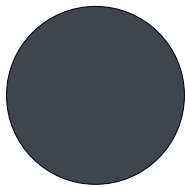


LINOLEUM BLACK

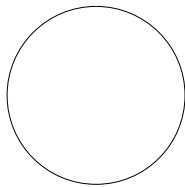
Frame colours



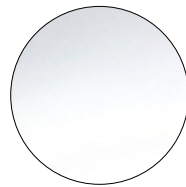
MAT BLACK



MAT GREY



MAT WHITE



CHROME

Options

Cable duct

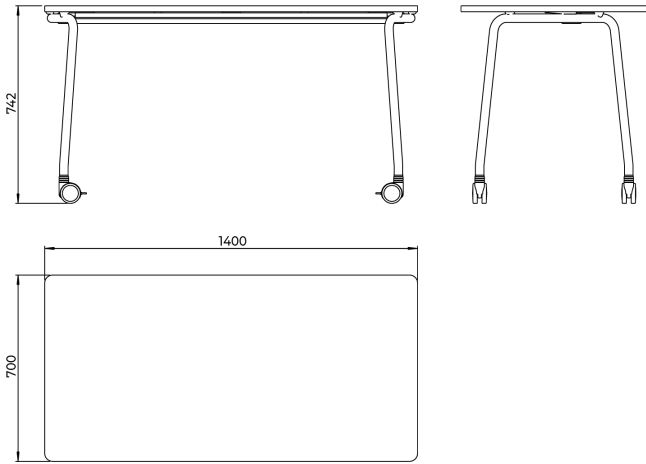
Height adjustable castors and total lock

FourFold®

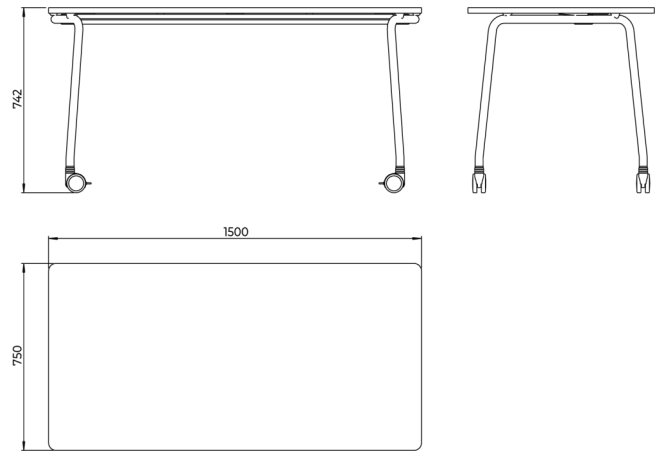
EN

Design: Broom Jenkins

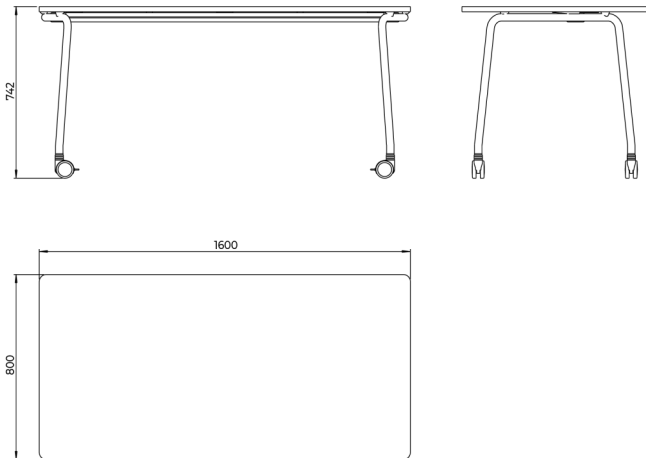
FourFold 140 x 70 cm



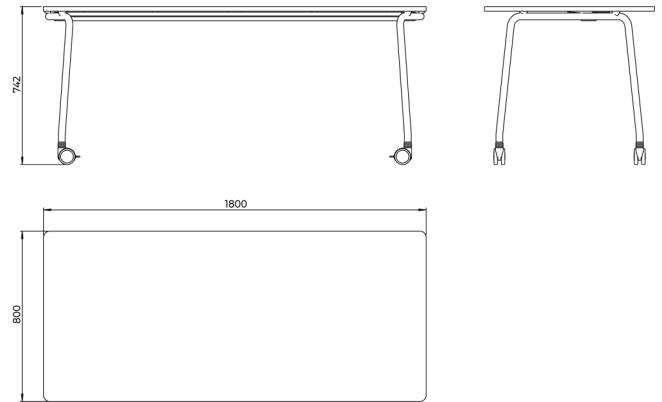
FourFold 150 x 75 cm



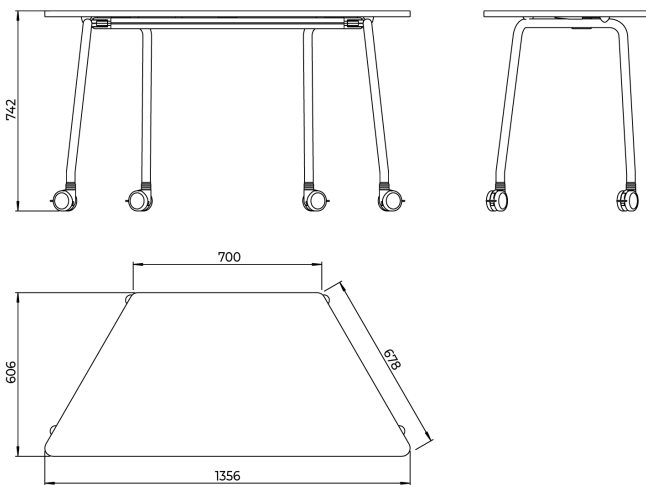
FourFold 160 x 80 cm



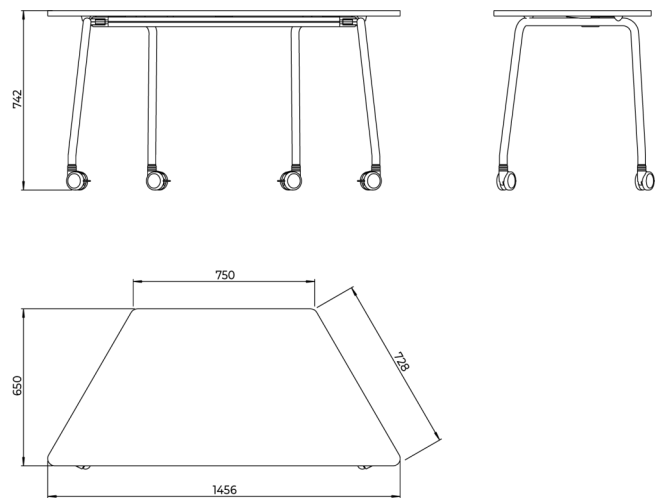
FourFold 180 x 80 cm



FourFold Trapezoid 140 x 70



FourFold Trapezoid 150 x 75



Design: Broom Jenkins

Materials

Table top variants

Chip board with Decor laminate and ABS-edge.

Thickness: 19 mm.

Chip board with high-pressure laminate or Fenix laminate and ABS edge. Thickness 19 mm.

MDF board with linoleum and linoleum edges.

Thickness 23 mm.

Frame

Legs: $\varnothing 32 \times 2.5$ mm, S235 steel, EN 10305-3 F300C

Rail: Aluminium EN AW-6063 T3, nature aluminium colour

Turn mechanism: Cast aluminium ADC12, nature aluminium colour

The plastic parts on the table are made in PA-6 plastic
4 integrated castors: Total lock, roll / turn

Weight and dimensions

Rectangular:

140x70 cm

150x75 cm

160x80 cm

180x80 cm

Trapezoid:

140x70 cm

150x75 cm

Quality and Environment

At Four Design, we are aware of our environmental responsibility.

We strive to reduce our company, and our customer's impact on the environment by producing quality furniture in a sustainable manner.

Procurement

We procure materials from responsible suppliers who comply with our high standards, ensuring that the materials are sustainably sourced and managed, conforming to applicable laws and regulations such as legal logging and chemical restrictions.

Production

We are ISO14001 certified, guaranteeing excellent environmental standards of our manufacturing sites.

Use

Four Design provides a 5-year warranty on all products within our price list. This warranty covers breakage and damage of products occurring because of deficient craftsmanship performance under normal use. The warranty shall lapse if the product shows signs of mishandling abuse or other physical damage. The warranty does not cover those parts of the product which are exposed to abrasion during use.

We kindly refer to our Maintenance Guide: http://www.fourdesign.dk/pdf/Maintenance_Guide.pdf

Recycling

We are working towards the aim for all our products to be minimum 95% recyclable.

Products must be separated into their components and disposed of separately.

All metal parts can be disposed of and recycled by an approved organisation. Lacquered frames are treated with a paint classified as not dangerous according to directive 1999/45/EF.

Wood can either be recycled or incinerated.

Plastic shells can be recycled. The shell will be granulated and reused in new plastic production.

Upholstery and veneer shells are not recyclable but can be disposed of by incineration.