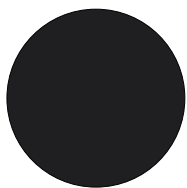


FourCast® 2 Audi / Inno Audi

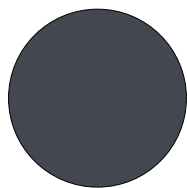
EN

Design: Strand + Hvass

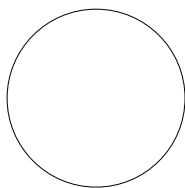
Shell colour



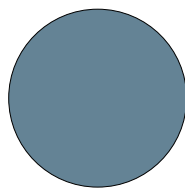
EBONY BLACK



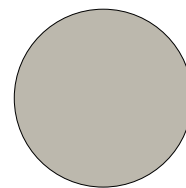
ANTHRACITE



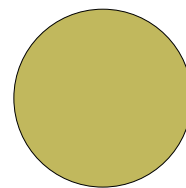
SNOW



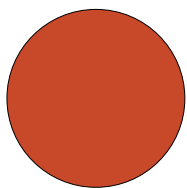
AQUA



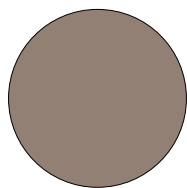
BEACH



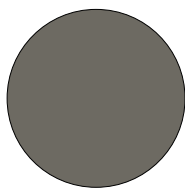
OLIVE



ORANGE



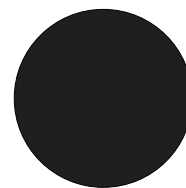
TERRACOTTA



CLAY

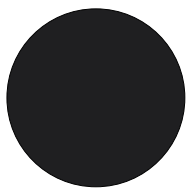


OAK VENEER



BLACK STAINED
OAK

Frame colour



MAT BLACK

Options

Upholstery: Seat upholstery / fully upholstered

Inno®Audi tablet:
TABB
TABC

Foldable InnoTab with integrated cup holder

Extra height and foot ring

Return function

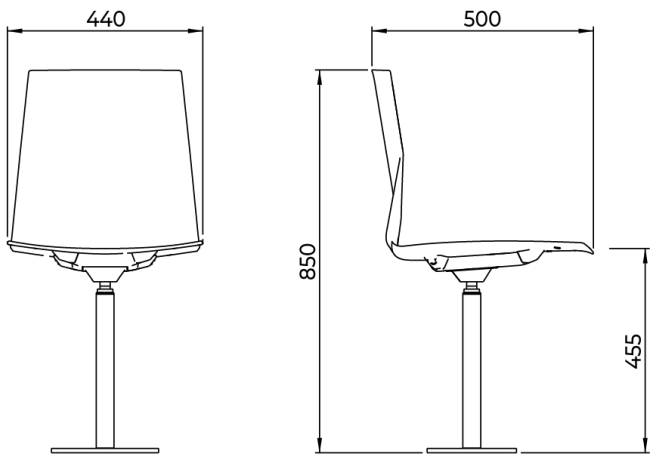
Gas lift (seat height 46-53 cm.)

FourCast[®]2 Audi / Inno Audi

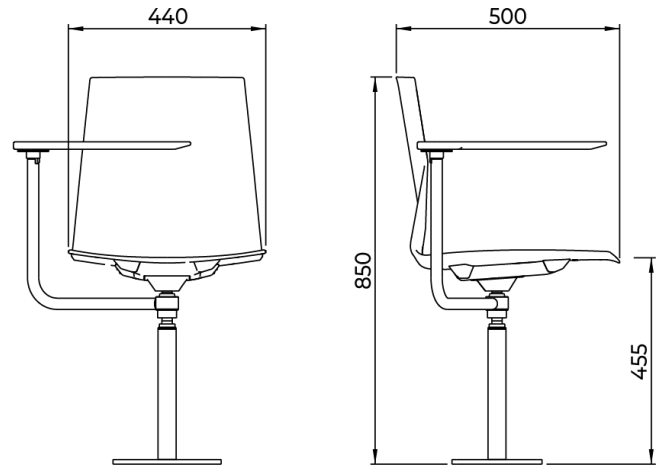
EN

Design: Strand + Hvas

FourCast2 Audi



FourCast2 Inno Audi



FourCast[®] 2 Audi / Inno Audi

EN

Design: Strand + Hvass

Materials

Shell

Polyshell: PP, reinforced glass fibre (15%), recyclable. Meets the RoHS and REACH directives and are halogen free.

Can be delivered in a 100% recycled material (colour: black).

Colours: See this page bottom right. Other colours available on request.

Upholstered shell: 9-11 layer veneer beechwood (12 mm.).

Glue veneer: Casco Adhesive 1272.

Foam: Type CMHR-65H eco-tex standard 100. Complies with the REACH and RoHS directives, and The Furniture and Furnishings (Fire) (Safety)

Amended Regulations 1989 Schedule 1, Part 1.

Glue Foam: SABA Activator 3739, Aquabond RSD 3801 blue.

Foam thickness:

Seat upholstery: 15 mm.

Frame, Steel

Frame: St. 37

Lock: ABS/Pa6

Rockerbox (covers the tilt mechanism): Aluminium ADC-12

About 50 percent of the total EU steel production is derived from recycled steel.

Weight and dimensions

Weight: 13 kg (Inno + 1,1-2,8 kg)

Dimensions are valid for chairs with polyshell without upholstery.

Quality and environment

At Four Design, we are aware of our environmental responsibility.

We strive to reduce our company, and our customer's impact on the environment by producing quality furniture in a sustainable manner.

Procurement

We procure materials from responsible suppliers who comply with our high standards, ensuring that the materials are sustainably sourced and managed, conforming to applicable laws and regulations such as legal logging and chemical restrictions.

Production

We are ISO14001 certified, guaranteeing excellent environmental standards of our manufacturing sites.

Use

Four Design provides a 5-year warranty on all products within our price list. This warranty covers breakage and damage of products occurring because of deficient craftsmanship performance under normal use. The warranty shall lapse if the product shows signs of mishandling abuse or other physical damage. The warranty does not cover those parts of the product which are exposed to abrasion during use.

We kindly refer to our Maintenance Guide: http://www.fourdesign.dk/pdf/Maintenance_Guide.pdf

Recycling

We are working towards the aim for all our products to be minimum 95% recyclable.

Products must be separated into their components and disposed of separately.

All metal parts can be disposed of and recycled by an approved organisation. Lacquered frames are treated with a paint classified as not dangerous according to directive 1999/45/EF.

Wood can either be recycled or incinerated.

Plastic shells can be recycled. The shell will be granulated and reused in new plastic production.

Upholstery and veneer shells are not recyclable but

can be disposed of by incineration.