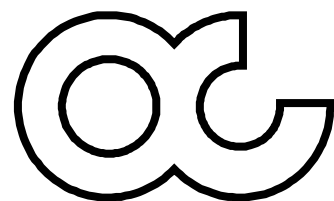
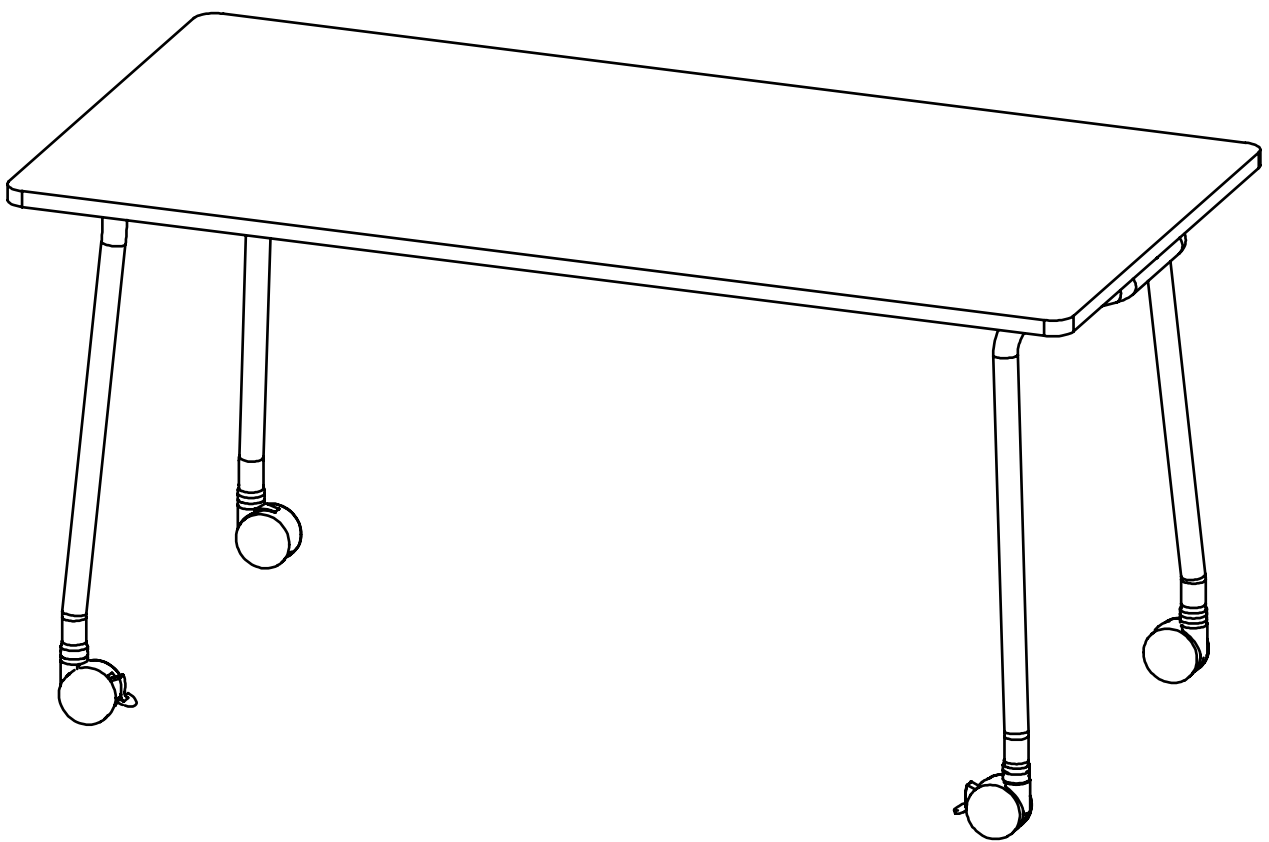
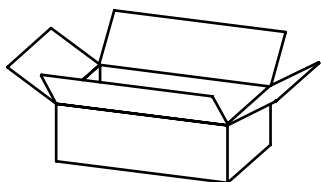


# FourFold™

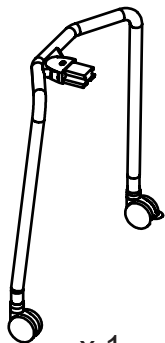
---



**STUDIO OCEE**

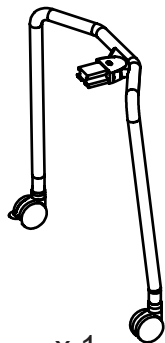


1



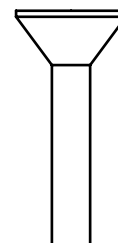
x 1

2



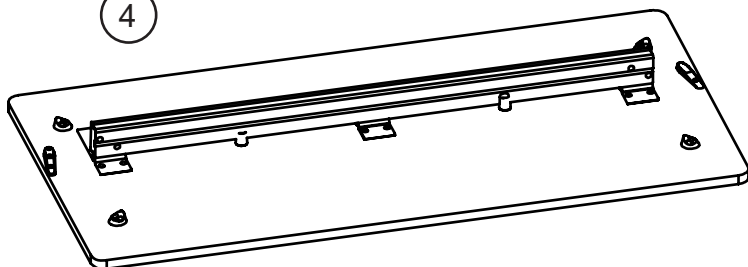
x 1

3

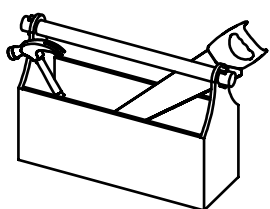


x 8

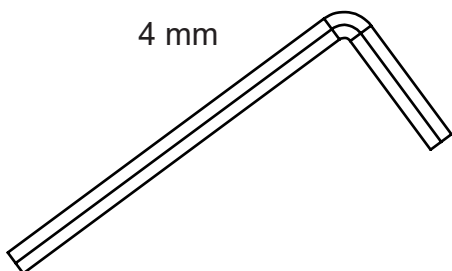
4

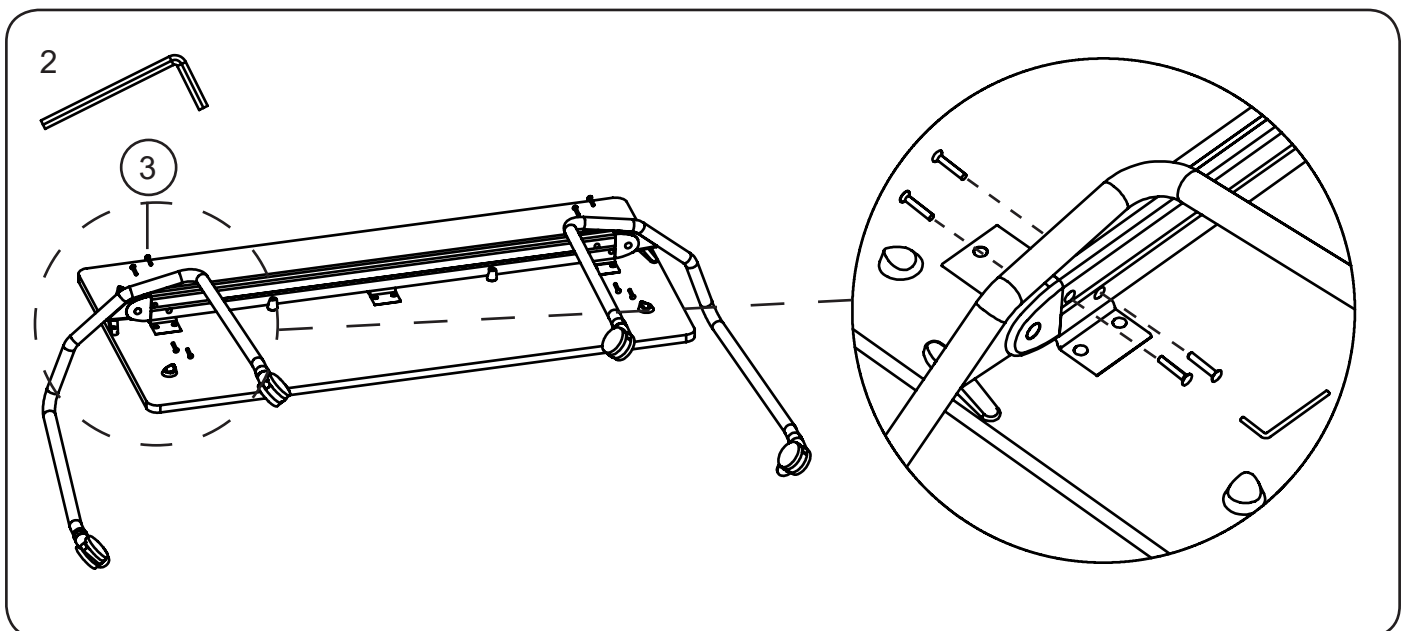
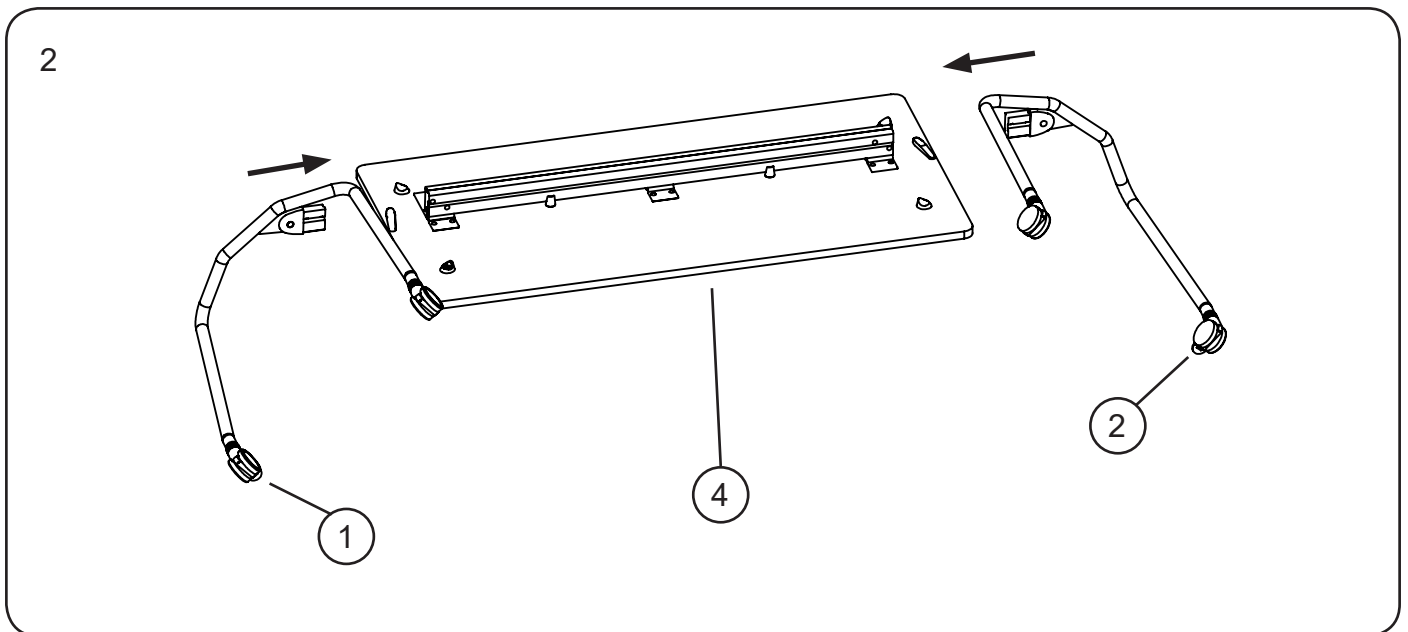
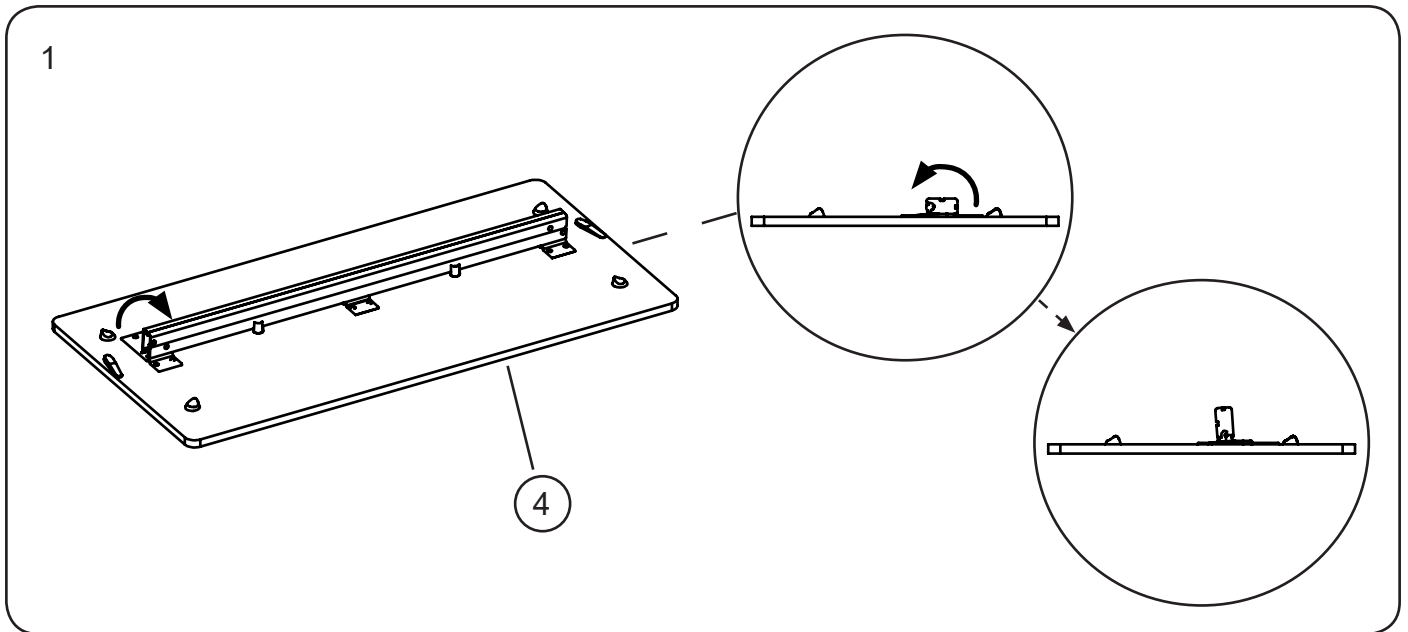


x 1

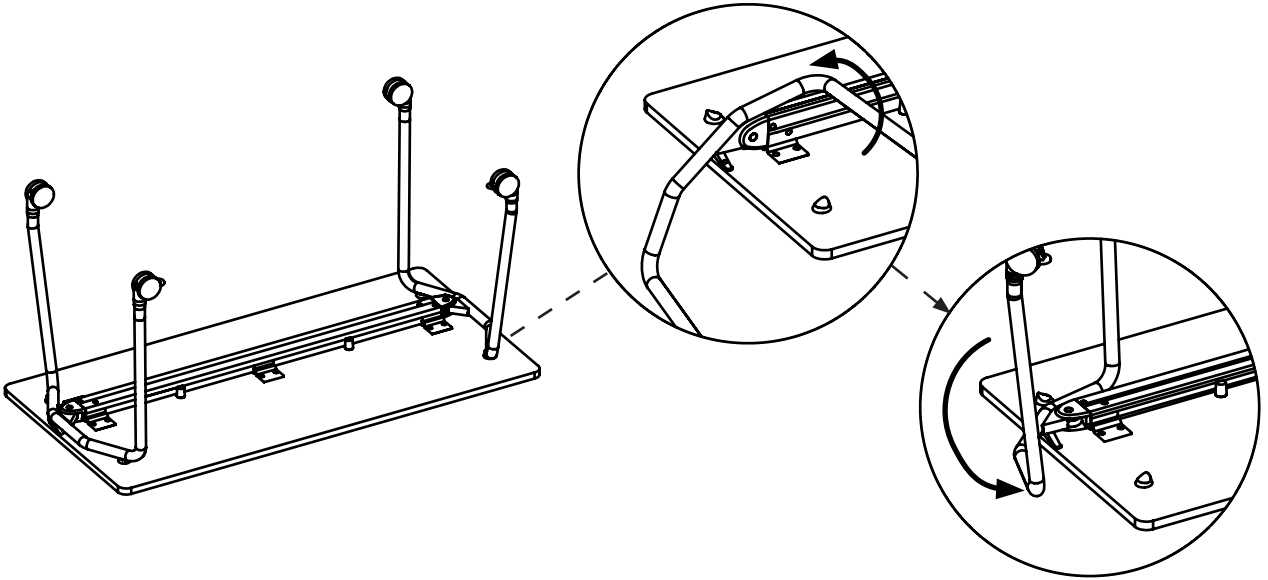


4 mm

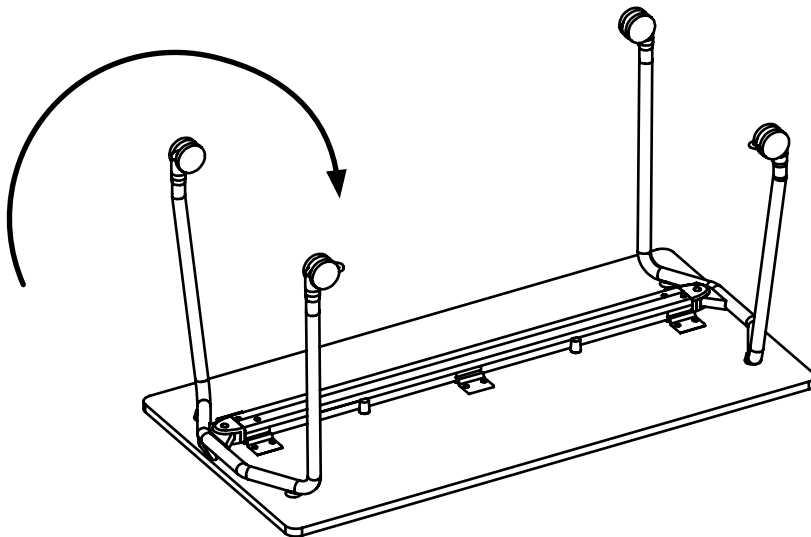




4



5



6

