

Instructions for assembly and maintenance

FourUS, Bench/Extension/Ear/Cave/Daybed/Puff



You have bought a FourUS couch. There will be maintenance, that you will have to do to keep the couch in many years. Follow the instruction, to assemble the legs and for the maintenance.

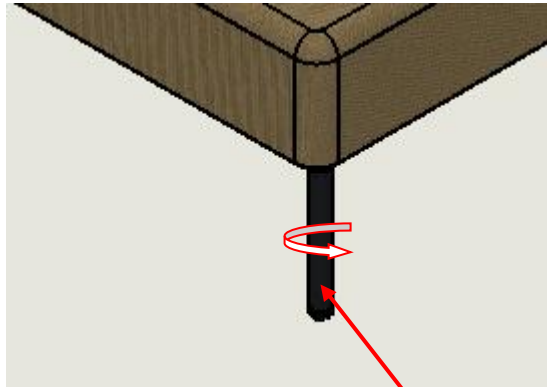
Handling the couch:

1. It is important to be two people to lift the couch from standing position to laying down, and from laying down to standing – also the first time where the legs are missing. Lift the couch instead of tilting it, to avoid any damage to the legs.



Assembly:

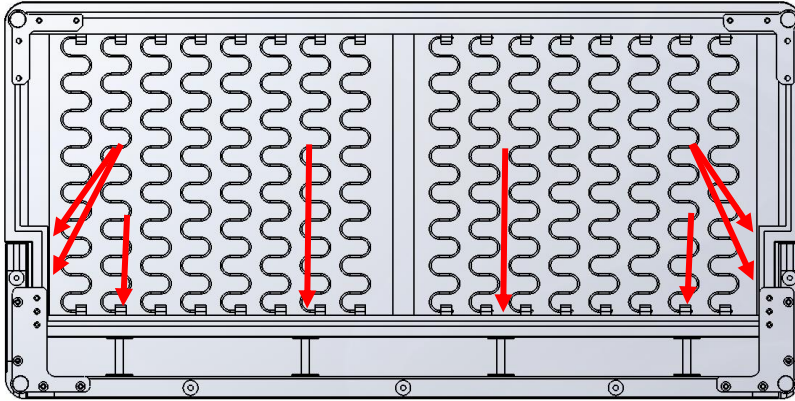
1. Mount the legs onto the footplate in each corner. The leg screws onto the plate, tighten the leg only using your hands, no tool is needed.
 - a. Steel legs (standard)
 - b. Wheel Ø100mm
 - c. Wood Oak



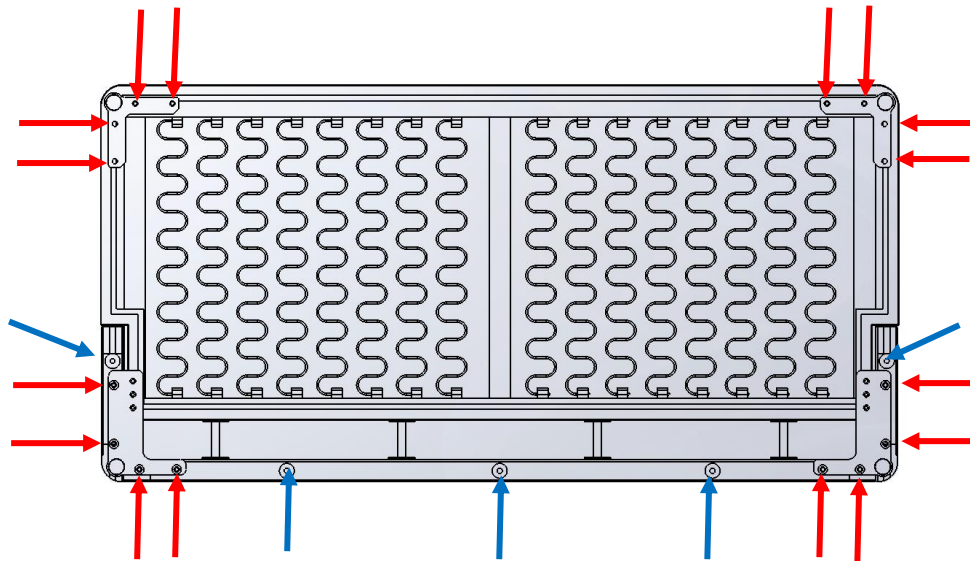
Turn the leg clockwise to tighten, use both hands to secure the leg is fully tightened. When all 4 legs are mounted, lift the couch onto the legs, be careful not to bend the legs.

Maintenance:

1. After 3 months all bolts and screws need to be tighten.
See red arrows. There are 4 pcs. M10 bolts, and 4 pcs. M8 bolts



2. Also tighten the 16 pcs. M8 bolt for the footplate RED arrows and the 5 tie rods BLUE arrows.



3. Repeat the maintenance every 3 month to insure the construction keeps it stability.